



RELIANCE
WATER HEATER COMPANY

ELECTRIC

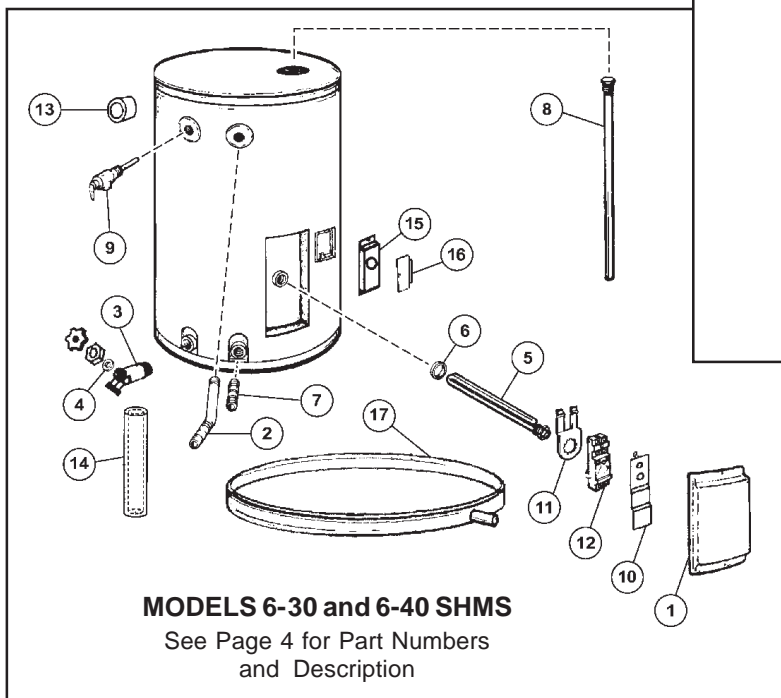
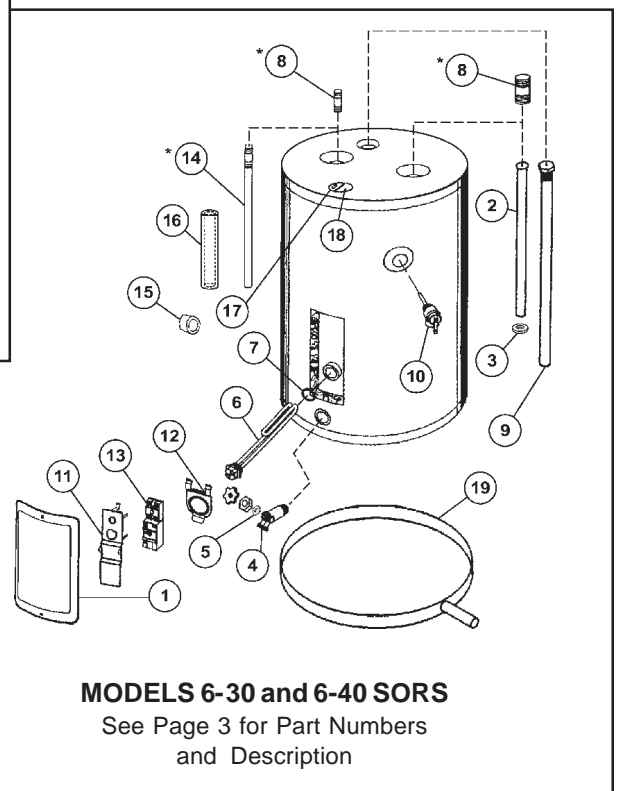
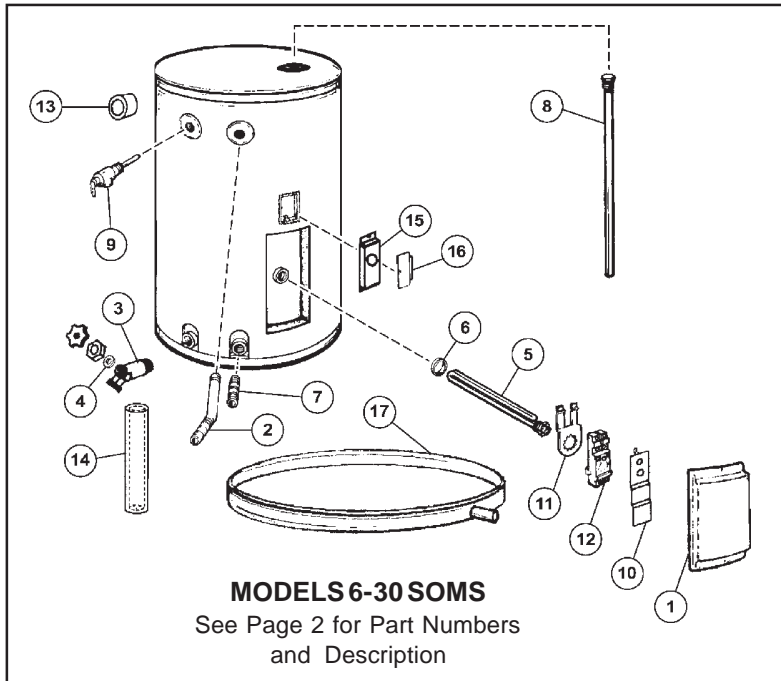
RESIDENTIAL WATER HEATER PARTS LIST

MODELS: 6-30 SOMS,

6-30, 40 SORS,

6-30, 40 SHMS

Series 606



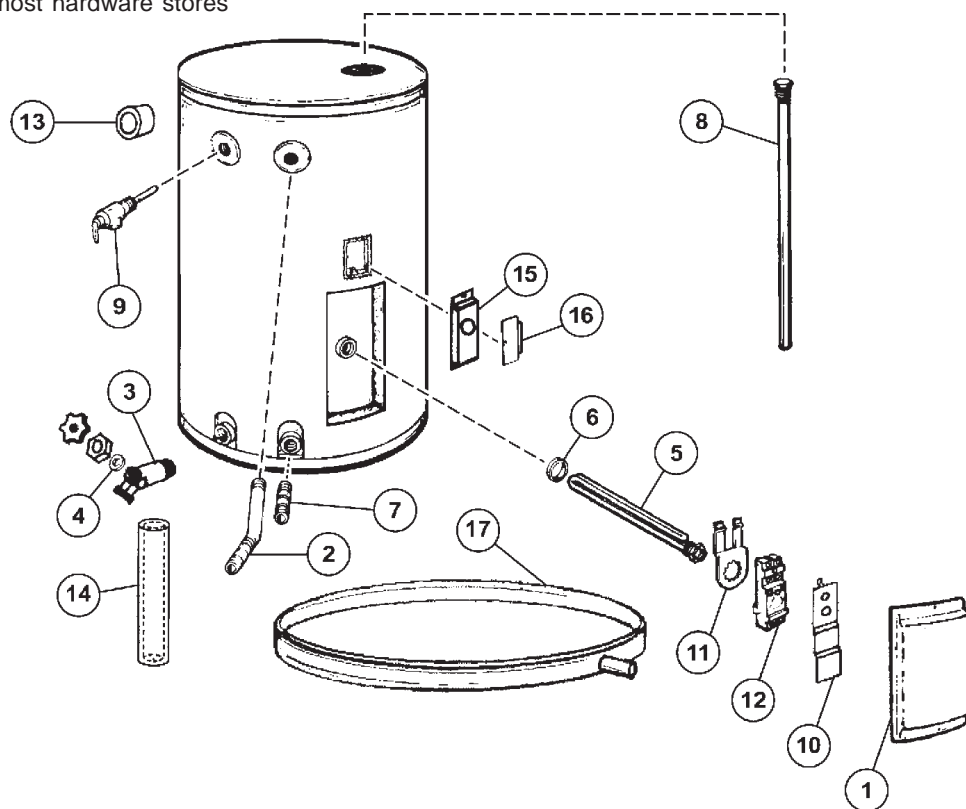
Reliance Water Heater Parts Fulfillment
125 Southeast Parkway, Franklin, TN 37068
1-800-527-1953
www.reliancewaterheaters.com

1	Access Panel	181260-000
2	J-Tube	184631-000
3	Drain Valve	042037-004
4	Drain Valve Washer (17/32x13/64x1/8")***	N/A
5	Element	042286-022
6	Element Gasket	0005300370
7	PEX Lined Nipple*	194130-007
8	Primary Anode Rod	183523-016
9	T & P Relief Valve	043151-000
10	Terminal Cover w/High Limit	183530-000
11	Thermostat Bracket	184608-000
12	Thermostat w/High Limit	183533-000
13	T & P Insulation*	183256-000
14	Pipe Insulation*	181639-003
15	Junction Box Bracket w/CDT Hole	N/A
16	Junction Box Cover	184860-000
17	20" Dia. Plastic Drain Pan w/Side Drain*	9002842
	22" Dia. Plastic Drain Pan w/Side Drain*	9002843
	24" Dia. Plastic Drain Pan w/Side Drain*	9002844
	26" Dia. Plastic Drain Pan w/Side Drain*	9002845
18	Instruction Manual**	184652-001

* If Applicable

** Not Illustrated

*** Available at most hardware stores

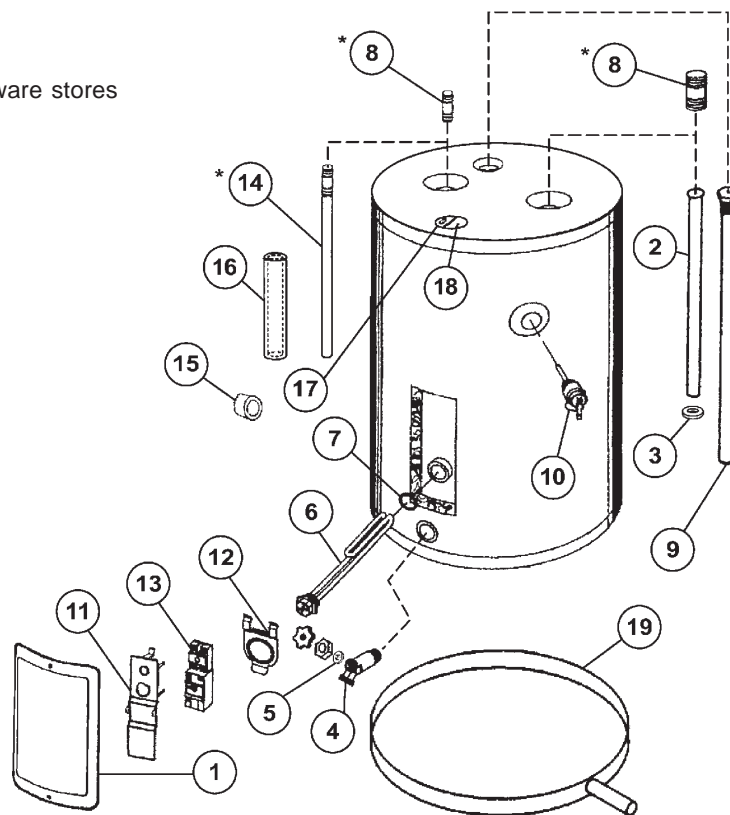


Item	Description	6-30 SORS	6-40 SORS
1	Access Panel	195888-000	181260-000
2	Dip Tube	183900-028	183900-036
3	Dip Tube Seal	184011-000	184011-000
4	Drain Valve	042037-004	042037-004
5	Drain Valve Washer (17/32x13/64x1/8")***	N/A	N/A
6	Element	042286-022	042286-022
7	Element Gasket	0005300370	0005300370
8	Nipple w/Heat Traps*	184633-005	184792-003
9	Primary Anode Rod	183523-016	183523-023
10	T & P Relief Valve	043151-000	043151-000
11	Terminal Cover w/High Limit	183530-000	183530-000
12	Thermostat Bracket	184608-000	184608-000
13	Thermostat w/High Limit	183533-000	183533-000
14	Secondary Anode Outlet w/Heat Trap*	N/A	N/A
15	T & P Insulation*	183256-000	183256-000
16	Pipe Insulation*	181639-003	181639-003
17	Junction Box Bracket w/CDT Hole	184659-000	184659-000
18	Junction Box Cover	N/A	N/A
19	20" Dia. Plastic Drain Pan w/Side Drain*	9002842	9002842
	22" Dia. Plastic Drain Pan w/Side Drain*	9002843	9002843
	24" Dia. Plastic Drain Pan w/Side Drain*	9002844	9002844
	26" Dia. Plastic Drain Pan w/Side Drain*	9002845	9002845
20	Instruction Manual **	184652-001	184652-001

* If Applicable

** Not Illustrated

*** Available at most hardware stores



Item	Description	6-30 SHMS	6-40 SHMS
1	Access Panel	181260-000	181260-000
2	J-Tube	184631-001	184631-001
3	Drain Valve	042037-004	042037-004
4	Drain Valve Washer (17/32x13/64x1/8") ***	N/A	N/A
5	Lower Element	042286-024	042286-022
6	Element Gasket	0005300370	0005300370
7	PEX Lined Nipple*	194130-007	194130-007
8	Primary Anode Rod	183523-019	183523-023
9	T & P Relief Valve	043151-000	043151-000
10	Terminal Cover w/High Limit	183530-000	183530-000
11	Thermostat Bracket	184608-000	184608-000
12	Thermostat w/High Limit	183533-000	183533-000
13	T & P Insulation*	183256-000	183256-000
14	Pipe Insulation*	181639-003	181639-003
15	Junction Box Bracket w/CDT Hole	N/A	N/A
16	Junction Box Cover	184860-000	184860-000
17	20" Dia. Plastic Drain Pan w/Side Drain*	9002842	9002842
	22" Dia. Plastic Drain Pan w/Side Drain*	9002843	9002843
	24" Dia. Plastic Drain Pan w/Side Drain*	9002844	9002844
	26" Dia. Plastic Drain Pan w/Side Drain*	9002845	9002845
18	Instruction Manual **	184748-000	184748-000

* If Applicable

** Not Illustrated

*** Available at most hardware stores

