



**RELIANCE**  
WATER HEATER COMPANY

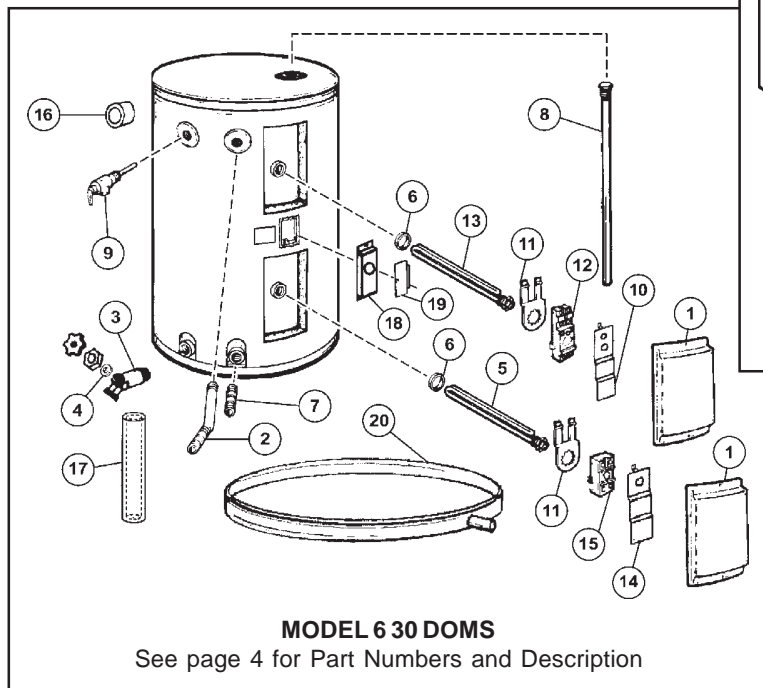
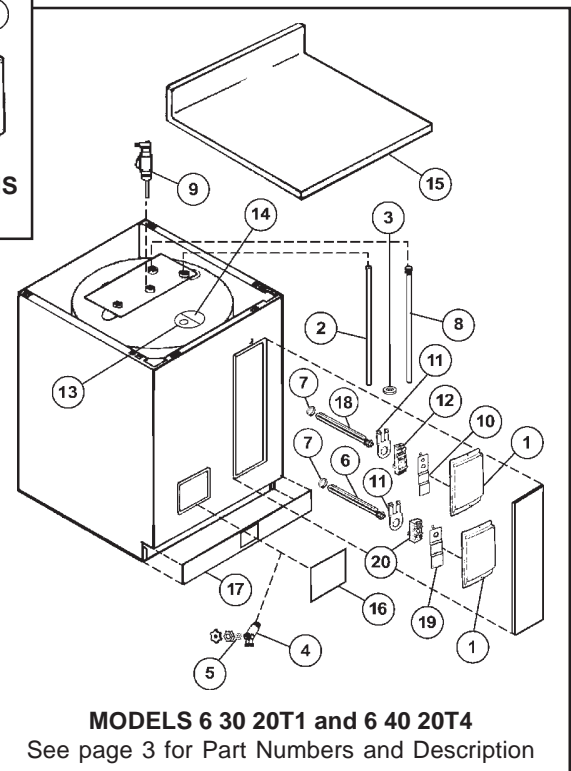
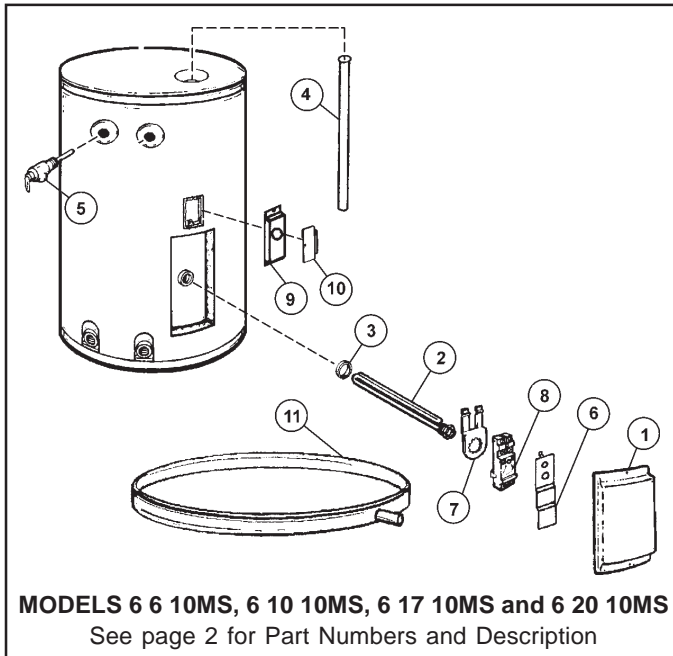
# ELECTRIC

RESIDENTIAL WATER HEATER PARTS LIST

MODELS: 6 30 20T1, 6 40 20T4

6 6/10/17/20 10MS, 6 30 DOMS

SERIES 606

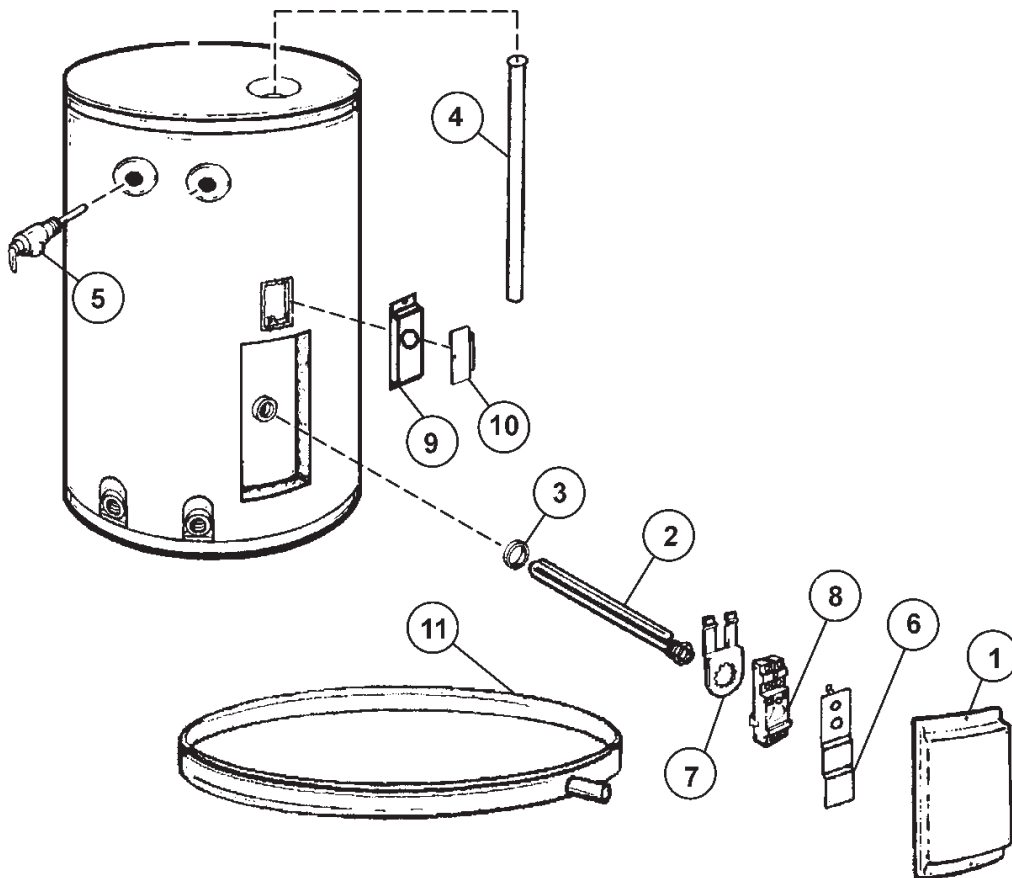


Reliance Water Heater Parts Fulfillment  
125 Southeast Parkway, Franklin, TN 37068  
1-800-527-1953  
[www.reliancewaterheaters.com](http://www.reliancewaterheaters.com)

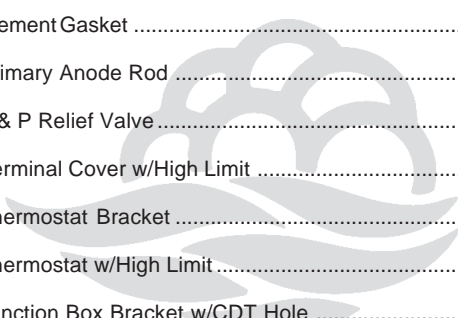
Item	Description	6 6 10MS	6 10 10MS	6 17 10MS	6 20 10MS
1	Access Panel	4302621	4302621	4302621	4302621
2	Element	042286-006	042283-009	042286-006	042286-006
3	Element Gasket	0005300370	0005300370	0005300370	0005300370
4	Primary Anode Rod*	183523-009	183523-009	183523-012	183523-016
5	T & P Relief Valve	076527-000	076527-000	076527-000	076527-000
6	Terminal Cover w/High Limit	183530-000	183530-000	183530-000	183530-000
7	Thermostat Bracket	184608-000	184608-000	184608-000	184608-000
8	Thermostat w/High Limit	183533-000	183533-000	183533-000	183533-000
9	Junction Box Bracket w/CDT Hole	184646-002	184646-002	184646-002	184646-002
10	Junction Box Cover	184860-000	184860-000	184860-000	184860-000
11	20" Dia. Plastic Drain Pan w/Side Drain*	9002842	9002842	9002842	9002842
	22" Dia. Plastic Drain Pan w/Side Drain*	9002843	9002843	9002843	9002843
	24" Dia. Plastic Drain Pan w/Side Drain*	9002844	9002844	9002844	9002844
	26" Dia. Plastic Drain Pan w/Side Drain*	9002845	9002845	9002845	9002845
12	Instruction Manual**	2917320	2917720	2917320	2917320

\*If Applicable

\*\*Not Illustrated

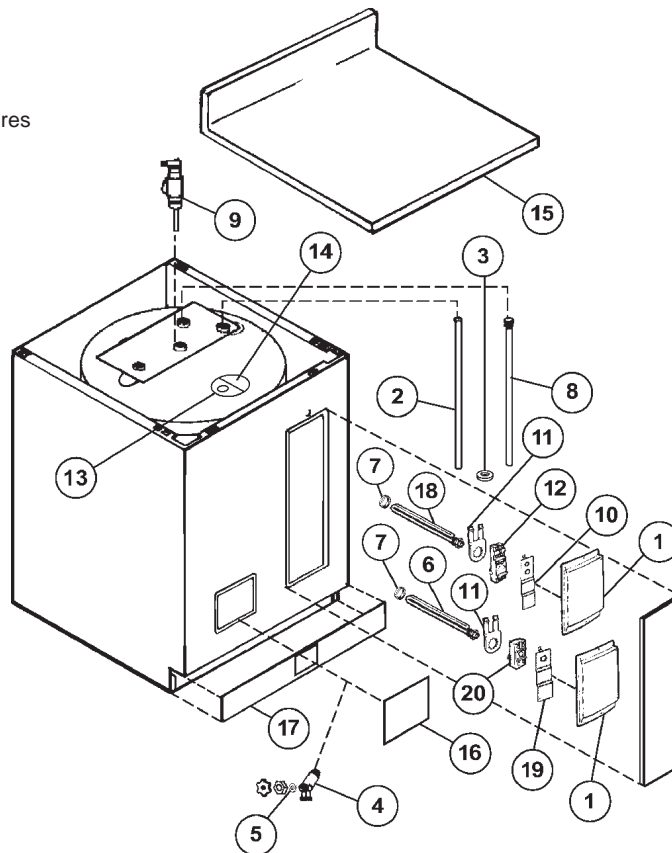


Item	Description	6 30 20T1	6 40 20T4
1	Access Panel	4303171	4303171
2	Dip Tube	183900-024	183900-024
3	Dip Tube Seal	184011-000	184011-000
4	Drain Valve	042037-000	042037-000
5	Drain Valve Washer (17/32"x 13/64"x 1/8" Thick)***	N/A	N/A
6	Lower Element	042286-023	042286-022
6	Upper Element	042286-023	042286-021
7	Element Gasket	0005300370	0005300370
8	Primary Anode Rod	183463-016	1601031
9	T & P Relief Valve	076527-000	076527-000
10	Terminal Cover w/High Limit	183530-000	183530-000
11	Thermostat Bracket	184608-000	184608-000
12	Thermostat w/High Limit	183532-000	183533-000
13	Junction Box Bracket w/CDT Hole	184659-000	184659-000
14	Junction Box Cover	184660-000	184660-000
15	Porcelain Top	1504930	1504940
16	Drain Access Door	3900550	3900550
17	Toe Panel	4300170	4300181
18	Instruction Manual**	2917490	2917490
19	Terminal Cover	183529-000	183529-000
20	Lower Thermostat w/High Limit	183532-000	183533-000

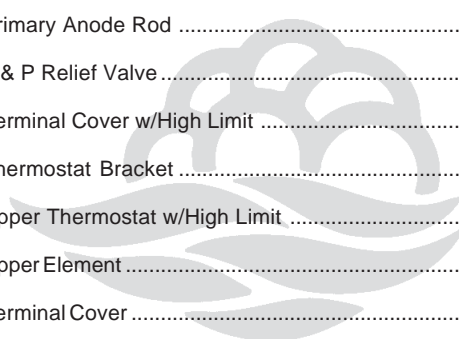

**RELIANCE**  
 WATER HEATER COMPANY

\*\*Not Illustrated

\*\*\*Available at most hardware stores



Item	Description	6 30 DOMS
1	Access Panel	181260-000
2	J-Tube	184631-001
3	Drain Valve	042037-004
4	Drain Valve Washer (17/32"x 13/64"x 1/8" Thick)***	N/A
5	Lower Element	042286-024
6	Element Gasket	0005300370
7	PEX Lined Nipple*	194130-007
8	Primary Anode Rod	183523-016
9	T & P Relief Valve	043151-000
10	Terminal Cover w/High Limit	183530-000
11	Thermostat Bracket	184608-000
12	Upper Thermostat w/High Limit	183534-000
13	Upper Element	042285-020
14	Terminal Cover	183529-000
15	Lower Thermostat w/High Limit	183532-000
16	T & P Insulation*	183256-000
17	Pipe Insulation*	181639-003
18	Junction Box Bracket w/CDT Hole	184646-002
19	Junction Box Cover	184860-000
20	20" Dia. Plastic Drain Pan w/Side Drain*	9002842
	..... 20" Dia. Plastic Drain Pan w/Side Drain*	9002843
	..... 20" Dia. Plastic Drain Pan w/Side Drain*	9002844
	..... 20" Dia. Plastic Drain Pan w/Side Drain*	9002845
21	Instruction Manual**	184652-001


**RELIANCE**  
 WATER HEATER COMPANY

\*If Applicable

\*\*Not Illustrated

\*\*\*Available at most hardware stores

