

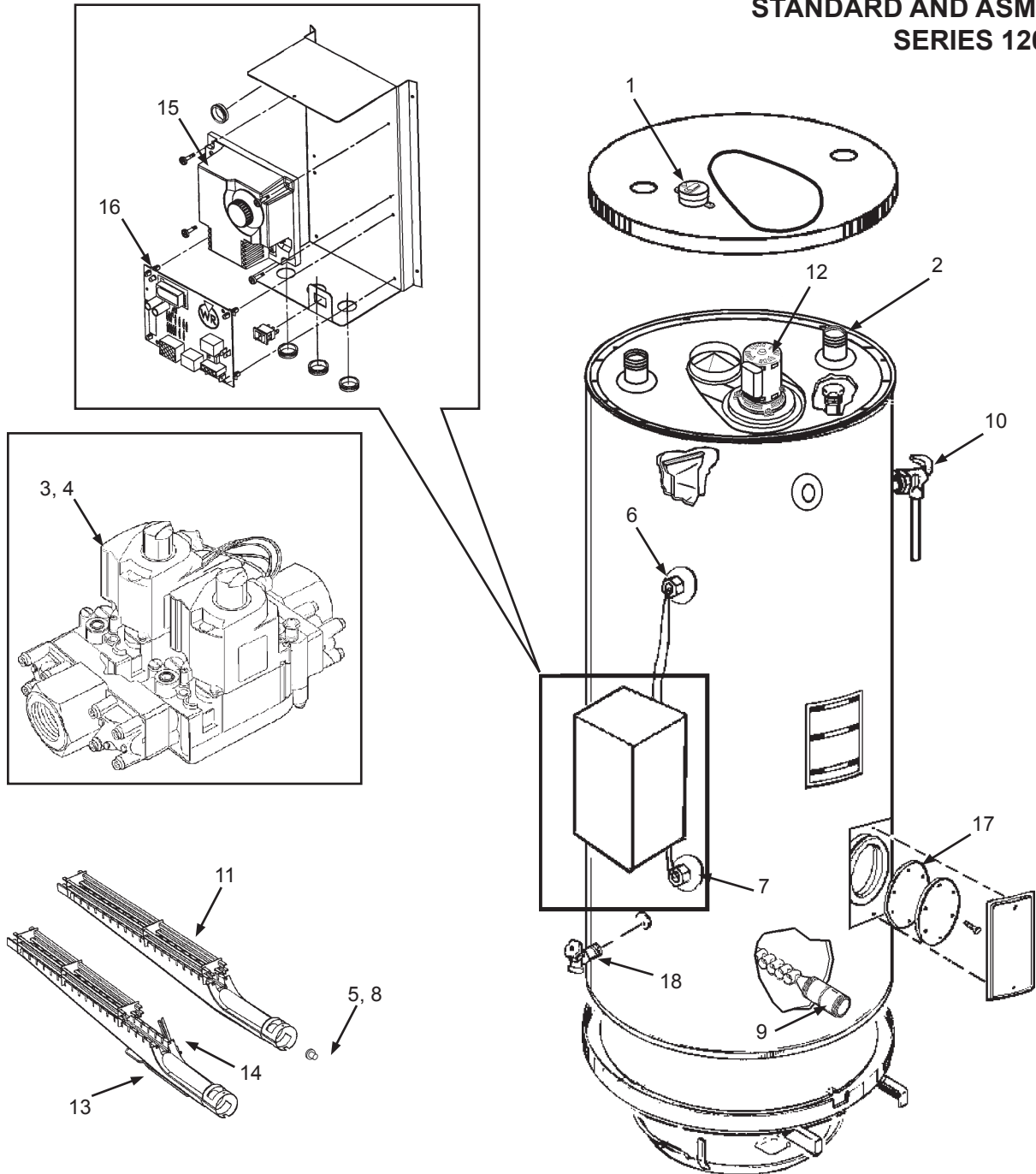


RELIANCE
WATER HEATER COMPANY

GAS

**COMMERCIAL TANK TYPE WATER HEATER
REPLACEMENT PARTS LIST**

**MODELS D85500NE (nat) & D85500PE (lp):
STANDARD AND ASME (A)
SERIES 120/121**



Reliance Water Heaters
1-800-821-2017
www.reliancewaterheaters.com

Item	Description	D85500NE (nat) & D85500PE (lp)
------	-------------	--------------------------------

1	Switch-Blower Prover.....	9004575215
2	Inlet Tube	9007368005
3	Gas Valve - Propane.....	9007367005
4	Gas Valve - Natural.....	9007366005
5	Burner Orifice - Natural.....	.076243-028
6	Probe/ECO, Upper Thermostat.....	9006161215
7	Probe/Lower Thermostat	9006160215
8	Burner Orifice - Propane.....	9006071215
9	Hydro Cannon.....	9006050205
10	T & P Valve	9005903205
11	Burner Assembly - Main.....	9005889205
12	Blower	9005748205
13	Burner w/Igniter Bracket - Main	9005161205
14	Igniter, Flame Sensor.....	9004606205
15	Digital Thermostat.....	9004570205
16	Ignition Control Board	9004569205
17	Gasket-Cleanout.....	9004099215
18	Drain Valve.....	9003907015